

# Jet CXV TurboDryer

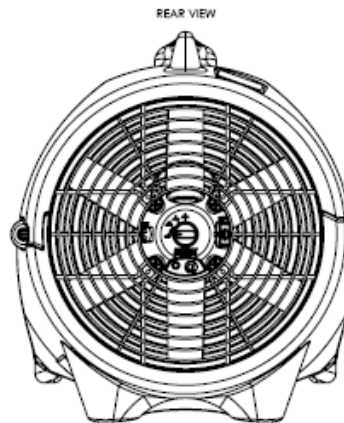
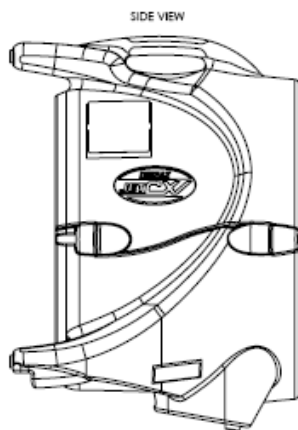
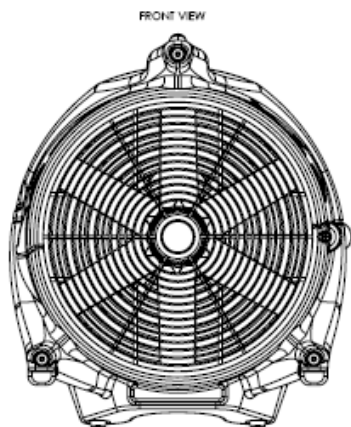
(Models: F367, F367-SM, F367-SP, F367-BE, F367-BUR, F367-GRN, F367-ORG)

## Symbol Definition

- \* - multiple components to choose from for different models: voltage, size, color, etc.
- + - if you order this item, you may need to order additional items marked with same number of +'s in order to upgrade or complete repair

Find #	Part Description	Part #	Measure	Qty
23	RECEPTACLE - 15A W/ GFCI	02-01472	Ea.	1
25	SWITCH - ROTORY 3 SPD SAHARA PRO X3/HD	02-01491	Ea.	1
	MOTOR ASSY - 115V 1/4HP 1650RPM 3SPD JET CXV	02-01511	Ea.	1
28	CIRCUIT BREAKER - 12A THERMAL SNAP IN	02-01513	Ea.	1
27	STRAIN RELIEF - LIQUID TIGHT .370 DIA X .13 BLK	02-01514	Ea.	1
12	WASHER - 1/4 RIVET .26 ID X .50 OD X .06 ZP	03-00001	Ea.	2
	CABLE TIE - 4" NYLON	03-00012	Ea.	2
13	WASHER - 3/16 RIVET .19 ID X .47 OD X .05 ZP	03-00013	Ea.	4
14	NUT - 8-32 NYLOC THIN ZP	03-00015	Ea.	4
29	NUT - #10-24 W/STAR WASHER ZP	03-00038	Ea.	4
33	SCREW - #10-24 X 1" HWH SER ZP REPLACES 03-00064.	03-00093	Ea.	1
	FOOT - ROUND 3/16 ID X 1.25 OD X 5/8 RUBBER BLK	03-00131	Ea.	2
5	FOOT - ROUND PUSH MOUNT .83 OD X .24 RUBBER BLK	03-00202	Ea.	3
	RIVET - 3/16 X 5/8 TRI FOLD AL/AL	03-00204	Ea.	2
11	SCREW - 1/4 -20 X 1/2 SER HWH NYLOC ZP	03-00209	Ea.	4
4	SCREW - 1/4-20 X 1.25 SER HWH ZP	03-01479	Ea.	2
	CAP - BUTTON .88 DIA X .10 POLYETHYLENE BLK	03-01491	Ea.	2
24	KNOB - 1.38 OB BAR 6.0 X 4.5MM D SHAFT RUBBER OVERMOLD BLK	03-01508	Ea.	1
32	SCREW - #4 X 5/8 CH PHIL ZP	03-01511	Ea.	2
30	WASHER - #10 ANSI EXTERNAL TOOTH ZP	03-01532	Ea.	1
31	RIVET - 5/32 X 1/4 MULTIGRIP AL/SLT BLK ANOD	03-01549	Ea.	2
	SCREW - 1/4 -20 X 1.50 PHIL PH ZP	03-01566	Ea.	2
	HOUSING - BOTTOM POLYETHYLENE FLINT GRY JET CXV	04-01405-09	Ea.	1
	HOUSING - TOP POLYETHYLENE FISHER BLU JET CXV	04-01406	Ea.	1
7	GRILL - INLET PC GL BLK JET CXV	04-01407-01	Ea.	1
	GRILL - OUTLET PC GL BLK JET CXV	04-01408-01	Ea.	1
2	FAN BLADE - 17 DIA 6 BLADE 35 DEGREE PPG JET CVX	04-01409	Ea.	1
	WIRING HARNESS 115V JET CXV	04-01410	Ea.	1
22	COVER - ELECTRICAL PANEL 5V ABS BLK W/PRINTING JET CXV	04-01411-01	Ea.	1
8	LOOP - CORD PC GL BLK JET CXV	04-01412-01	Ea.	1
	PACKAGING ASSEMBLY - 115V JET CXV	07-01577	Ea.	1
15	LABEL - WARNING DAMP LOCATION W/ MICROBAN TURBODRYERS	07-01590	Ea.	1
26	POWER CORD ASSY - 14/3 SJTW 5-15P 25 FT DEFENDAIR HEPA 500	13-01457	Ea.	1

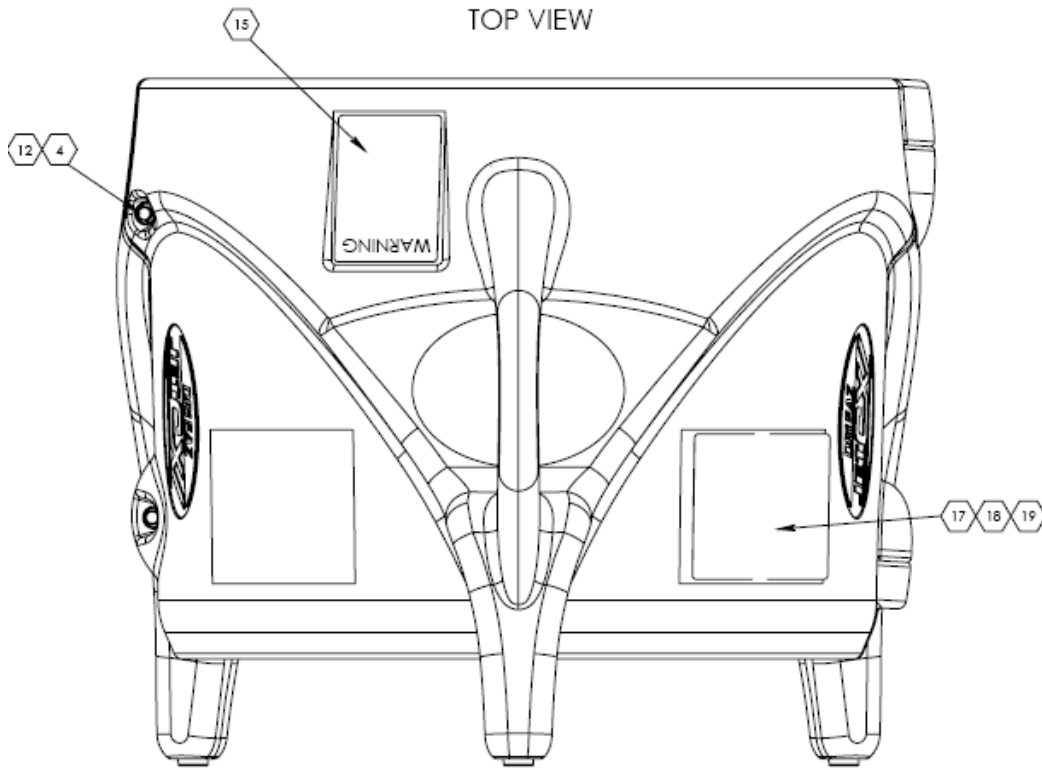
## Jet CXV Pictorial Drawing



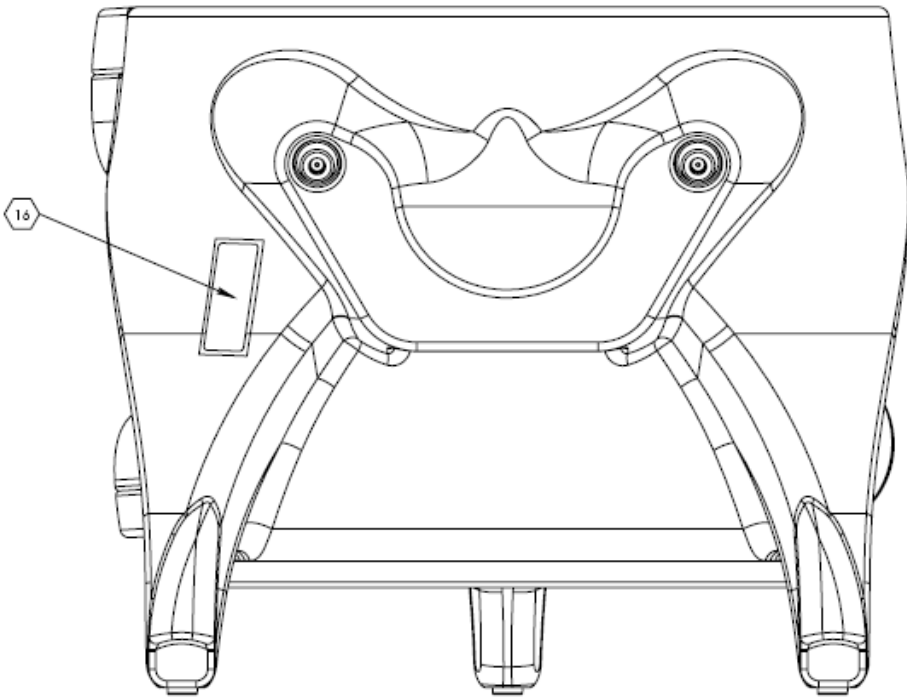
|

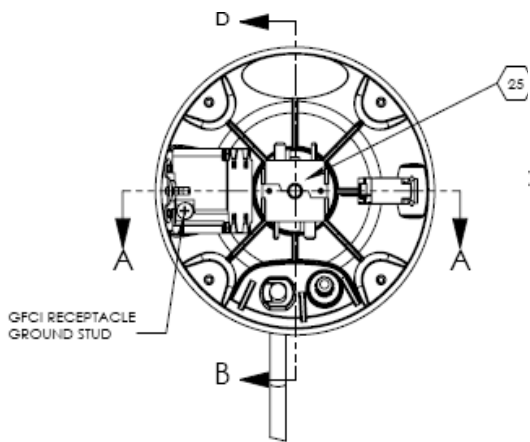
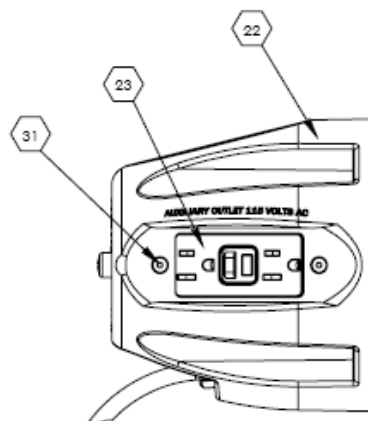
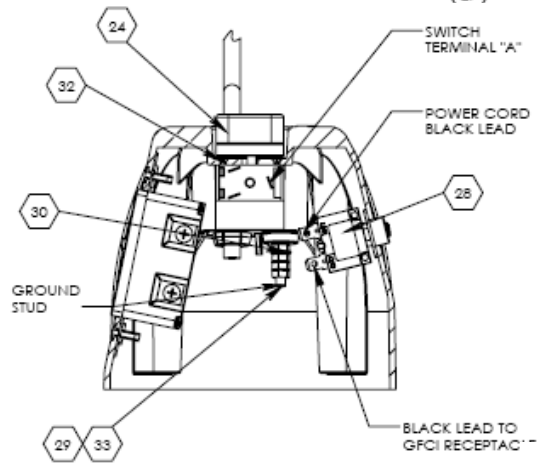
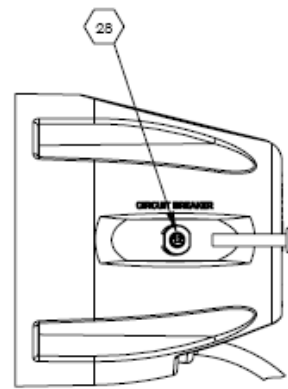
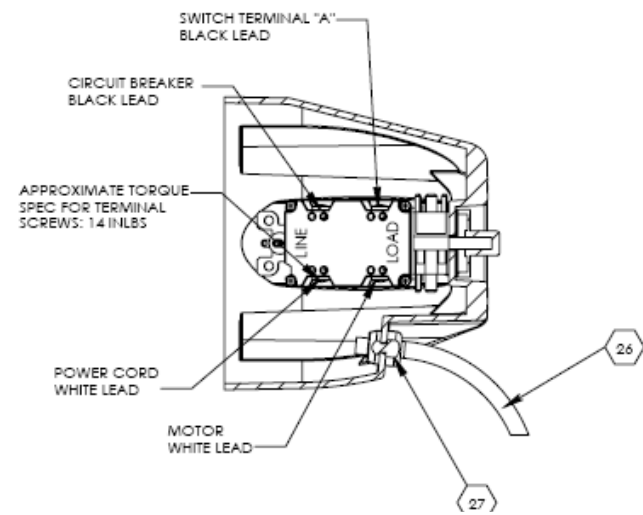
|

TOP VIEW



BOTTOM VIEW





TORQUE SPEC FOR ELECTRICAL COVER MOUNTING NUTS: 14-16 INLBS

